

## LL34 SURFACE MOUNT ZENER DIODES

ZENER VOLTAGE RANGE: 2.0 --- 39V PEAK PULSE POWER:500mW

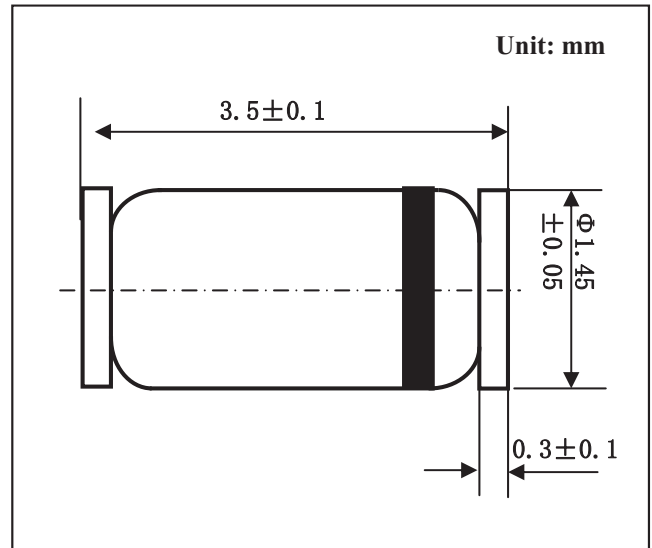
### Features

- Low Reverse Leakage
- Low Zener Impedance
- High Stability

and High Reliability

### Mechanical Data

- Case: LL34 Glass Case
- Polarity: Color band denotes cathode end
- Mounting Position: Any



### MAXIMUM RATINGS AND CHARACTERISTICS

Ratings at 25 °C ambient temperature unless otherwise specified

Parameters	Symbol	Value	Unit
Power Dissipation	Pd	500 <sup>1)</sup>	mW
Operating junction temperature	Tj	175	°C
Storage temperature range	Ts	-55-+175	°C

1) Valid provided that leads are kept at ambient temperature at a distance of 8mm from case

### Electrical Specification (TA=25@25°C unless otherwise specified)

TYPE	Zener Voltage			Reverse Current		Dynamic Resistance	
	Vz(V)		Test Condition	IR( μ A)	Test Condition	rd(Ω)	Test Condition
	MIN	MAX	Iz(mA)	Max.	VR(V)	Max.	Iz(mA)
ZMM55C2V0	1.80	2.15	5.0	100	1.0	85	5.0
ZMM55C2V2	2.08	2.33	5.0	75	1.0	85	5.0
ZMM55C2V4	2.28	2.56	5.0	50	1.0	85	5.0
ZMM55C2V7	2.50	2.90	5.0	10	1.0	85	5.0
ZMM55C3V0	2.80	3.20	5.0	4	1.0	85	5.0
ZMM55C3V3	3.10	3.50	5.0	2	1.0	85	5.0
ZMM55C3V6	3.4	3.8	5.0	2	1.0	85	5.0
ZMM55C3V9	3.7	4.1	5.0	2	1.0	85	5.0
ZMM55C4V3	4	4.6	5.0	1	1.0	75	5.0
ZMM55C4V7	4.4	5	5.0	0.5	1.0	60	5.0
ZMM55C5V1	4.8	5.4	5.0	0.1	1.0	35	5.0
ZMM55C5V6	5.2	6	5.0	0.1	1.0	25	5.0
ZMM55C6V2	5.8	6.6	5.0	0.1	2.0	10	5.0
ZMM55C6V8	6.4	7.2	5.0	0.1	3.0	8	5.0
ZMM55C7V5	7	7.9	5.0	0.1	5.0	7	5.0
ZMM55C8V2	7.7	8.7	5.0	0.1	6.2	7	5.0
ZMM55C9V1	8.5	9.6	5.0	0.1	6.8	10	5.0

## Electrical Specification (T<sub>A</sub>=25@25°C unless otherwise specified)

TYPE	Zener Voltage			Reverse Current		Dynamic Resistance	
	V <sub>Z</sub> (V)		Test Condition	IR(μA)	Test Condition	rd(Ω)	Test Condition
	MIN	MAX	I <sub>Z</sub> (mA)	Max.	VR(V)	Max.	I <sub>Z</sub> (mA)
ZMM55C10	9.4	10.6	5.0	0.1	7.5	15	5.0
ZMM55C11	10.4	11.6	5.0	0.1	8.2	20	5.0
ZMM55C12	11.4	12.7	5.0	0.1	9.1	20	5.0
ZMM55C13	12.4	14.1	5.0	0.1	10.0	26	5.0
ZMM55C14	13.3	14.7	5.0	0.1	10.0	26	5.0
ZMM55C15	13.8	15.6	5.0	0.1	11.0	30	5.0
ZMM55C16	15.3	17.1	5.0	0.1	12.0	40	5.0
ZMM55C18	16.8	19.1	5.0	0.1	13.0	50	5.0
ZMM55C20	18.8	21.2	5.0	0.1	15.0	55	5.0
ZMM55C22	20.8	23.3	5.0	0.1	16.0	55	5.0
ZMM55C24	22.8	25.6	5.0	0.1	18.0	80	5.0
ZMM55C27	25.1	28.9	5.0	0.1	20.0	80	5.0
ZMM55C30	28	32	5.0	0.1	22.0	80	5.0
ZMM55C33	31	35	5.0	0.1	24.0	80	5.0
ZMM55C36	34	38	5.0	0.1	27.0	80	5.0
ZMM55C39	37	41	2.5	0.1	30.0	90	2.5

### Notes:

- 1) Tested with pulses t<sub>p</sub>=20ms
- 2) V<sub>F</sub>(MAX)=1.20V@I<sub>F</sub>=100Ma
- 3) The Zener voltages are graded according to the international E 24 standard .Smaller voltage tolerances and higher Zener voltages are upon request
- 4) These diodes are also available in DO-35 case with the type designation BZX55C....