

SOD-923 SCHOTTKY BARRIER DIODE

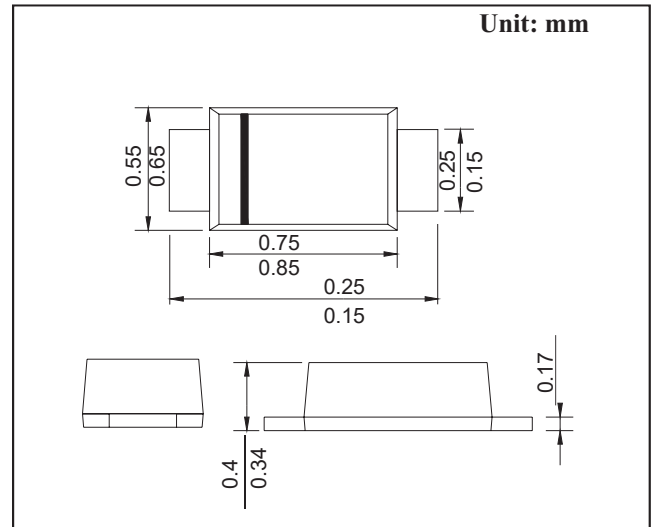
VOLTAGE RANGE: 30V

Features

- V_R 30V
- I_O 100mA
- Low Forward Voltage Drop

MECHANICAL DATA

- Case: SOD-923 Small Outline Plastic Package
- Polarity: Color band denotes cathode end
- Mounting Position: Any



MAXIMUM RATINGS AND CHARACTERISTICS

@ 25°C Ambient Temperature (unless otherwise noted)

Item	Symbol	Unit	Conditions	Limit
Repetitive Peak Reverse Voltage	VRRM	V		30
Reverse Voltage	VR	V		30
Continuous Forward Current	I_O	mA		100
Non-Repetitive Peak Forward Current	IFSM	A	8.3 ms single half sine-wave	0.5
Junction Temperature	TJ	°C		125
Storage Temperature	TSTG	°C		-55 to +125

Electrical Specification (T_A=25°C unless otherwise specified)

Item	Symbol	Unit	Conditions	Min	Max
Forward Voltage	VF	V	IF=10mA	0.41(TYP)	0.46
Breakdown Voltage	VR	V	IR=10uA	30	
Reverse Leakage Current	IR	uA	VR=10V		0.3

Device	Package	Shipping
RB520ZM9-30	SOD-923	8000/Tape&Reel