

SOD-923 SCHOTTKY BARRIER DIODE

VOLTAGE RANGE: 30V

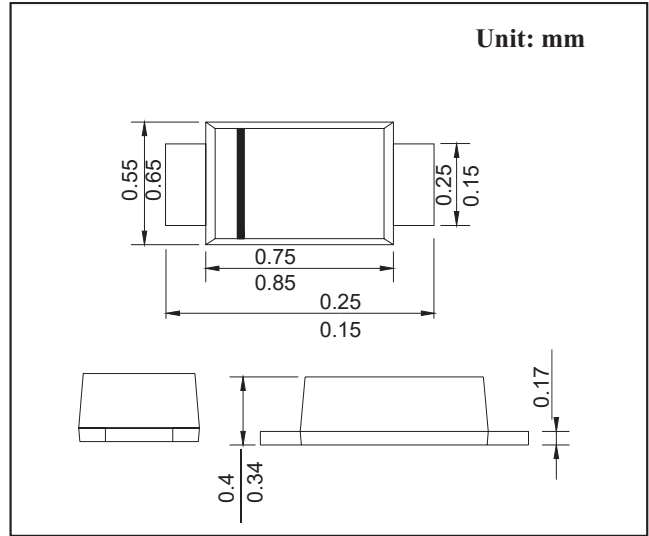
Features

- V_R 30V
- I_O 100mA
- Low Forward Voltage Drop

MECHANICAL DATA

- Case: SOD-923 Small Outline Plastic Package
- Polarity: Color band denotes cathode end
- Mounting Position: Any

Unit: mm



MAXIMUM RATINGS AND CHARACTERISTICS

@ 25°C Ambient Temperature (unless otherwise noted)

Item	Symbol	Unit	Conditions	Limit
Reverse Voltage	V_R	V		30
Repetitive Peak Reverse Voltage	V_{RRM}	V		30
Continue Forward Current	I_O	mA		100
Non-Repetitive Peak Forward Current	I_{FSM}	A	8.3 ms single half sine-wave	0.6
Junction Temperature	T_J	°C		125
Storage Temperature	T_{STG}	°C		-55 to +125

Electrical Specification (T_A=25°C unless otherwise specified)

Item	Symbol	Unit	Conditions	Min	Max
Forward Voltage	V_F	V	$I_F=1mA$	0.32(TYP)	0.37
			$I_F=10mA$	0.40(TYP)	0.45
			$I_F=30mA$	0.47 (TYP)	0.55
Breakdown Voltage	V_R	V	$I_R=10\ \mu A$	30	
Reverse Leakage Current	I_R	μA	$V_R=10V$		0.5

Device	Package	Shipping
RB520GM9-30	SOD-923	8000/Tape&Reel