

SOD-923 SCHOTTKY BARRIER DIODE

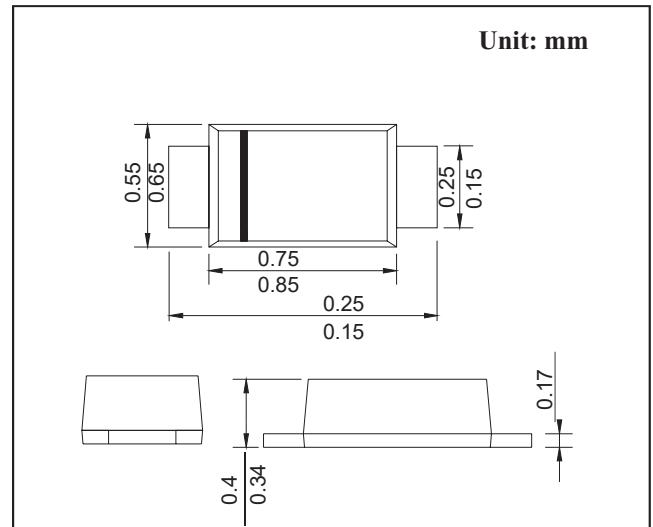
VOLTAGE RANGE: 70V PEAK PULSE POWER:200mW

Features

- VR 70V
- IF 70mA
- Low Forward Voltage Drop

MECHANICAL DATA

- Case: SOD-923 Small Outline Plastic Package
- Polarity: Color band denotes cathode end
- Mounting Position: Any



MAXIMUM RATINGS AND CHARACTERISTICS

@ 25°C Ambient Temperature (unless otherwise noted)

Item	Symbol	Unit	Conditions	Limit
Repetitive Peak Reverse Voltage	VRRM	V		70
Reverse Voltage	VR	V		70
Forward Current	IF	mA		70
Non-Repetitive Peak Forward Current	IFSM	mA	8.3 ms single half sine-wave	100
Junction Temperature	TJ	°C		125
Storage Temperature	TSTG	°C		-55 to +125

Electrical Specification (TA=25°C unless otherwise specified)

Item	Symbol	Unit	Conditions	Min	Max
Forward Voltage	VF	V	IF=1mA	0.41	
			IF=10mA	0.75	
			IF=15mA	1.00	
Reverse Leakage Current	IR	nA	VR=50V		100
		uA	VR=70V		10
Capacitance	C	pF	VR = 0V, f = 1MHz		2

Device	Package	Shipping
BAS70M9	SOD-923	8000/Tape&Reel